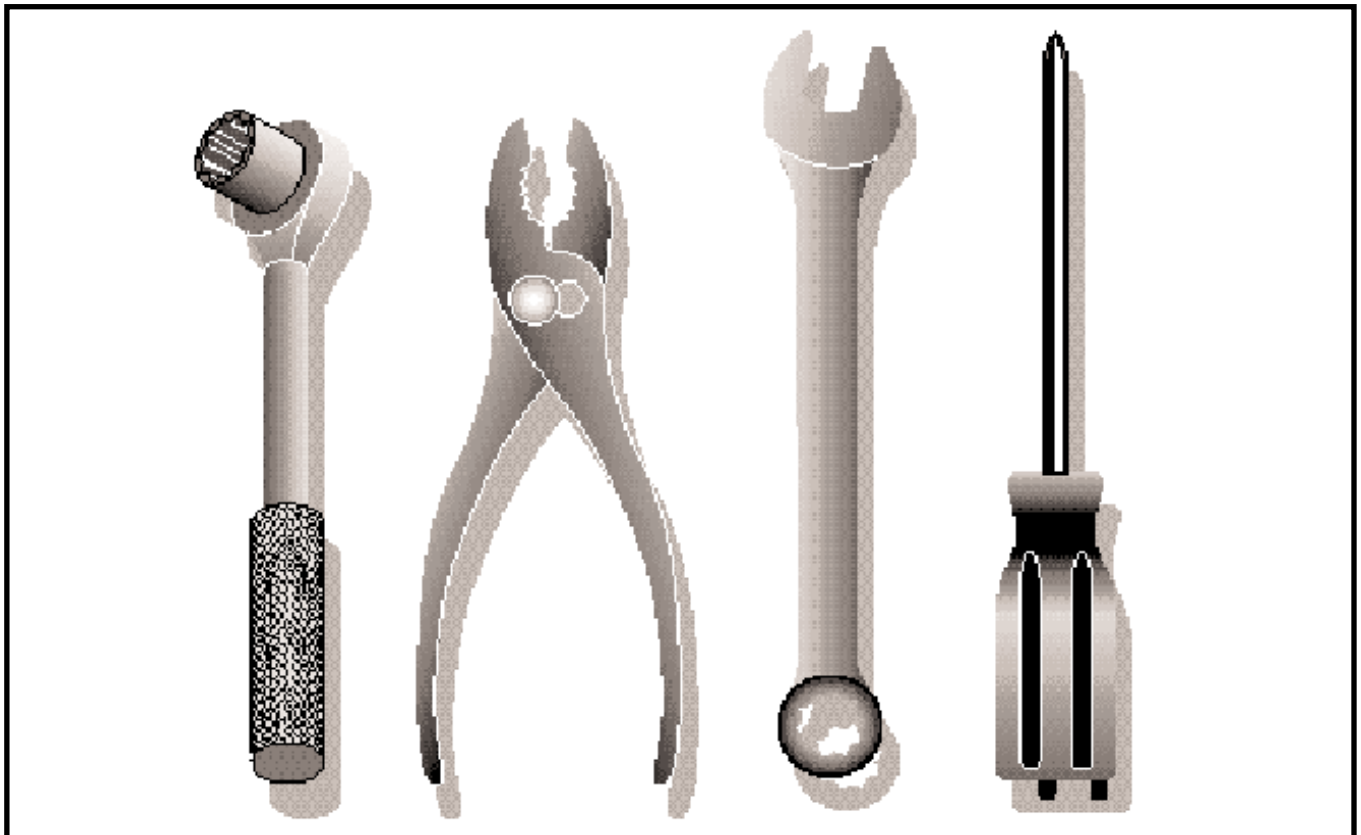


Pressure Washer

**5525PW, 6027PW,
9032PW, 1340PW**



CONTENTS

Contents

CONTENTS	1
Contents	1
KEY TO SYMBOLS	2
Symbols in the Operator's Manual	2
INTRODUCTION	3
Dear Customer	3
WHAT IS WHAT?	4
What is what on the pressure washer	4
FREQUENTLY ASKED QUESTIONS	5
How do I start my pressure washer?	5
What type of oil do I use?	5
Why don't I have any water pressure?	5
How do I get high pressure?	5
How do I get the soap suction to work?	5
Why doesn't the pressure washer apply detergents with high pressure?	5
What maintenance do I need to perform on my pressure washer?	5
Where can I buy accessories for my pressure washer?	5
SAFETY GUIDELINES	6
Important Safety Guidelines	6
PRE-OPERATION	8
Unpacking	8
Assembly	8
Trigger Safety Latch	10
OPERATION	11
1. Surface preparation	11
2. Start Up	11
3. Initial High Pressure Rinse	11
Pressure Adjustment	12
Adjusting the Spray Fan Angle	12
Angle to the Cleaning Surface	12
Distance from Cleaning Surface	13
How to Avoid Damaging Surfaces	13

4. Detergent Application	13
Detergents	13
General Cleaning Tips	14
5. Cleaning Power	14
6. Final Rinse	14
7. Shutdown	14
Pressure Relief Procedure	14
8. Storage	14
Long Term Storage Instructions (More than 30 days in storage)	14
Tips for Extending the Life of Your Pressure Washer	15
MAINTENANCE	16
Engine Oil Changing Instructions	16
Check Pump Oil and Pump Oil Changing ..	17
MAINTENANCE SCHEDULE	18
TECHNICAL AND CONSUMER INFORMATION	19
TROUBLESHOOTING CHART	20
SERVICE RECORD	22
CART PARTS LIST	23
5525PW Cart	23
6027PW Cart	24
9032PW Cart	25
1340PW Cart	25
PUMP PART LIST	26
5525PW Pump	26
6027PW Pump	27
9032PW Pump	28
1340PW Pump	29
PRODUCT REGISTRATION NOTICE	31
WARRANTY	32

KEY TO SYMBOLS

Safety Guidelines

This manual contains information that is very important to know and understand. This information is provided for SAFETY and to PREVENT EQUIPMENT PROBLEMS. To help recognize this information, observe the following symbols.

⚠ WARNING *Warning indicates a potentially hazardous situation which, if not avoided, COULD result in death or serious injury.*

⚠ CAUTION *Caution indicates a potentially hazardous situation which, if not avoided, MAY result in minor or moderate injury.*

ℹ NOTICE *Notice indicates important information, that if not followed, may cause damage to equipment.*

NOTE: Information that requires special attention.

Symbols in the Operator's Manual

Please read the operator's manual carefully and make sure you understand the instructions before using the tool.



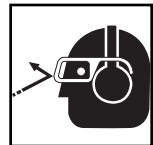
DO NOT overreach or stand on unstable support. Keep good footing and balance at all times.



Risk of injection or severe injury. Keep clear of nozzle.



ALWAYS wear safety glasses or goggles and protective equipment (hearing protection, gloves, rubber boots, protective clothing) when operating or performing maintenance.



Risk of explosion.



Risk of fire.



INTRODUCTION

Dear Customer,

Congratulations on your choice to buy a Husqvarna product! Husqvarna is based on a tradition that dates back to 1689, when the Swedish King Charles XI ordered the construction of a factory on the banks of the Husqvarna River, for production of muskets. The location was logical, since waterpower was harnessed from the Husqvarna River to create the water-powered plant. During the more than 300 years of being, the Husqvarna factory has produced a lot of different products, from wood stoves to modern kitchen appliances, sewing machines, bicycles, motorcycles, etc. In 1956, the first motor driven lawn mowers appeared, followed by chain saws in 1959, and it is within this area Husqvarna is working today.

Today, Husqvarna is one of the leading manufacturers in the world of forest and garden products, with quality as our highest priority. The business concept is to develop, manufacture and market motor driven products for forestry and gardening, as well as for the building and construction industry. Husqvarna's aim is also to be in the front edge according to ergonomics, usability, security and environmental protection. That is the reason why we have developed many different features to provide our products within these areas.

We are convinced that you will appreciate, with great satisfaction, the quality and performance of our product for a very long time to come. The purchase of one of our products gives you access to professional help with repairs and service whenever this may be necessary. If the retailer who sells your machine is not one of our authorized dealers, ask for the address of your nearest service workshop.

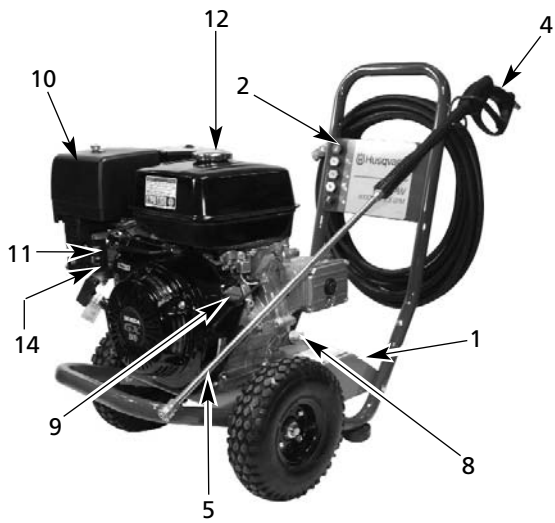
It is our wish that you will be satisfied with your product and that it will be your companion for a long time. Think of this operator's manual as a valuable document. By following its' content (using, service, maintenance, etc) the life span and the second-hand value of the machine can be extended. If you will sell this machine, make sure that the buyer will get the operator's manual.

Thank you for using a Husqvarna product.

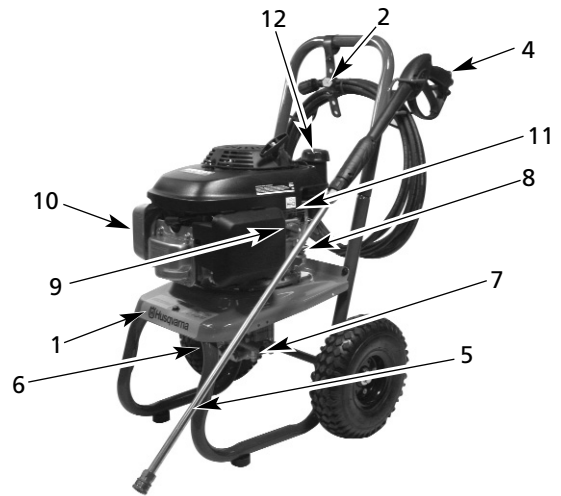
Husqvarna AB has a policy of continuous product development and therefore reserves the right to modify the design and appearance of products without prior notice.

For customer assistance call 704-921-7000 or contact us at our website: www.husqvarna.com

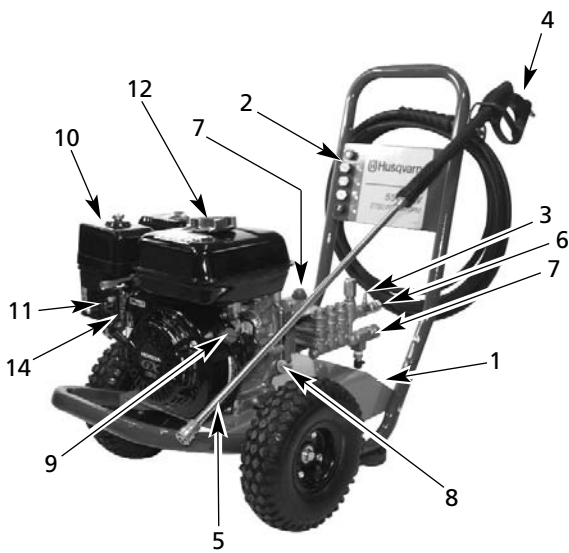
WHAT IS WHAT?



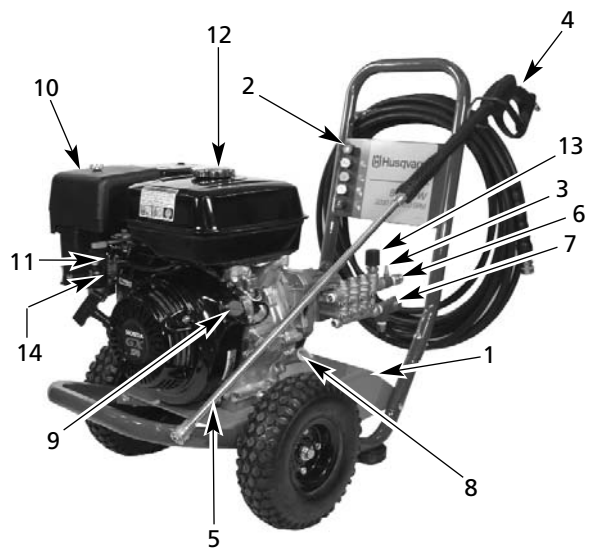
1340PW



5525PW



6027PW



9032PW

- | | | | |
|---|---|----|-------------------------|
| 1 | Serial Number/Product Decal | 8 | Engine Oil Fill |
| 2 | Tip Holder with Spray Tips | 9 | Engine switch - On/Off |
| 3 | Injection Tube Barb | 10 | Air Filter |
| 4 | Gun with Trigger | 11 | Choke |
| 5 | Lance | 12 | Fuel Tank |
| 6 | Inlet Connection for High Pressure Hose | 13 | Pressure Adjusting Knob |
| 7 | Inlet Connection for Garden Hose | 14 | Fuel Valve - On/Off |

FREQUENTLY ASKED QUESTIONS

How do I start my pressure washer?

1. Make sure you have gas and oil in the engine.
2. Turn the water on, then squeeze the trigger on the gun to make sure the water will flow smoothly out of the nozzle or tip.
3. Put the engine throttle control in the "Fast/Start" position. Set the fuel valve to "ON" Set the On/Off switch to "ON" (if applicable).
4. Close the choke.
5. Squeeze and hold the trigger (to relieve any back pressure in the pump) while pulling the starter cord.
6. If the engine does not start after three tries, see Troubleshooting Section (Pages 20-21).

What type of oil do I use?

ENGINE

THE ENGINE DOES NOT COME FILLED WITH OIL. For engine oil types and quantities refer to Pages 16 and 19 of this manual and also refer to the included engine owner's manual for oil changing instructions.

PUMP

See Page 17 for pump oil types and quantities. Please note the 5525PW model has a pump that is sealed and does not require service.

Why don't I have any water pressure?

- Is the water hose attached to the pressure washer?
- Is the water turned on?
- Check for any kinks, leaks, or blockage in the hoses, fittings, or the nozzle.
- Is the inlet filter screen free of debris? Check and remove debris if needed.
- Is the quick connect tip in place? (See Page 9.)

How do I get high pressure?

- Use any color tip except black. The black tip is only used for low pressure detergent application.

How do I get the soap suction to work?

For Detergent Tanks:

1. Attach clear plastic tube to plastic barb on detergent tank (see Figure 2).
2. Fill detergent tank with detergent formulated for use with pressure washers.
3. Install the black spray tip to apply low pressure detergent.

For Other Units:

1. Attach clear plastic tube to brass barb on pump (see Figure 2).
2. Put the other filter end of the clear tube into the detergent container.
3. Install the black spray tip to apply low pressure detergent.

Why doesn't the pressure washer apply detergents with high pressure?

The reason you don't apply detergents with high pressure is that the detergents "bounce" off the cleaning surface as fast as you apply them. Detergent is only effective when you allow it time to work on the surface of whatever you are cleaning. You can only apply detergent at low pressure, wait 1-3 minutes to allow it to work, and rinse the surface with high pressure.

What maintenance do I need to perform on my pressure washer?

1. After turning off the pressure washer and the water, depressurize the hose by triggering the gun.
2. Remove the garden hose and high pressure hose from the pump.
3. Pull the start rope slowly five times to purge water from the pump. This will help protect the pump from damage.
4. DO NOT store your pressure washer in an area where the temperature will drop below 32°F / 0°C unless pressure washer is properly winterized (see Page 15).

Where can I buy accessories for my pressure washer?

- Call your local Husqvarna Dealer.

SAFETY GUIDELINES

Important Safety Instructions

SAVE THESE INSTRUCTIONS

⚠️WARNING *The engine exhaust from this product contains chemicals known to the State of California to cause cancer, birth defects or other reproductive harm.*

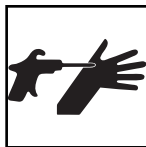
⚠️WARNING

When using this product, basic precautions should ALWAYS be followed, including the following:

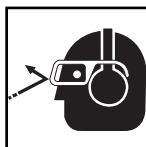
- Read all instructions before using the product.
- To reduce the risk of injury, close supervision is necessary when the product is used near children.
- Follow all safety codes as well as the Occupational Safety and Health Act (OSHA).
- Ensure safety devices are operating properly before each use. DO NOT remove or modify any part of the gun or unit.
- Know how to stop this product and bleed pressure quickly. Be thoroughly familiar with the controls.
- Stay alert – watch what you are doing.
- DO NOT operate the product when fatigued or under the influence of alcohol or drugs.
- Keep operation area clear of all persons.
- DO NOT overreach or stand on unstable support. Keep good footing and balance at all times.
- Follow the maintenance instructions specified in the manual.



⚠️WARNING *Risk of injection or severe injury. Keep clear of nozzle. DO NOT discharge streams at persons. This product is to be used only by trained operators. ALWAYS remove lance from gun before cleaning debris from tip.*



- Keep clear of nozzle. NEVER direct high pressure spray at a person, animal, or yourself.
- ALWAYS wear safety glasses or goggles and protective equipment (hearing protection, gloves, rubber boots, protective clothing) when operating or performing maintenance.
- NEVER put hand or fingers over the spray tip while operating the unit.
- NEVER try to stop or deflect leaks with any body part.



- ALWAYS engage the trigger safety latch in the safe position when spraying is stopped even if only for a few moments.
- ALWAYS follow detergent manufacturer's label recommendations for proper use of detergents. ALWAYS protect eyes, skin, and respiratory system from detergent use.

⚠️WARNING *DO NOT use pressure that exceeds the operating pressure of any of the parts (hoses, fittings, etc.) in the pressurized system. Ensure all equipment and accessories are rated to withstand the maximum working pressure of the unit.*



⚠️WARNING *Explosion hazard.*

- NEVER spray flammable liquids or use pressure washer in areas containing combustible dust, liquids, or vapors.
- NEVER operate this machine in a closed building or in or near an explosive environment.
- DO NOT remove fuel tank cap or fill fuel tank while engine is hot or running (allow engine to cool two minutes before refueling). ALWAYS fill the tank slowly.
- NEVER disconnect the high pressure discharge hose from the machine while the system is pressurized. To depressurize machine, turn power and water supply off, then press the gun trigger 2-3 times.
- NEVER permanently engage the trigger mechanism on the gun.
- NEVER operate the machine without all components properly connected to the machine (handle, gun/wand assembly, nozzle, etc.).

⚠️CAUTION *Keep hose away from sharp objects. Bursting hoses may cause injury. Examine hoses regularly and replace if damaged. DO NOT attempt to mend a damaged hose.*

NOTICE *Equipment damage.*

- ALWAYS turn water supply "ON" before turning pressure washer "ON." Running pump dry causes serious damage.
- DO NOT operate the pressure washer with the inlet water screen removed. Keep screen clear of debris and sediment.
- NEVER operate pressure washer with broken or missing parts. Check equipment regularly and repair or replace worn or damaged parts immediately.

SAFETY GUIDELINES

- Use only the nozzle supplied with this machine.
- NEVER leave the wand unattended while the machine is running.
- NEVER tamper with the engine governor or attempt to alter factory settings. Altering factory settings could damage the unit and will void the warranty.
- ALWAYS hold gun and wand firmly when starting and operating the machine.
- NEVER allow the unit to run with the trigger released (off) for more than two minutes. Resulting heat buildup will damage the pump.
- NEVER store the pressure washer outdoors or where it could freeze. Freezing temperatures can seriously damage the pump.
- Release the trigger when changing from high to low pressure modes. Failure to do so could result in damage to the nozzle.

PRE-OPERATION

UNPACKING

Remove the equipment and all parts from the carton. The carton should contain the following.

- One pressure washer (pump, engine, cart base).
- One cart handle assembly.
- One spray gun.
- One lance.
- Two spray tips for Model 5525PW
Five spray tips for Models 1340PW, 6027PW and 9032PW
- One high pressure hose.
- One pack of nuts, bolts, and manuals.
- One bottle of engine oil.

If any parts are missing, **Please contact your Husqvarna dealer.**

After unpacking the product, inspect it carefully for any damage that may have occurred during transit. Make sure to tighten fittings and bolts before using the pressure washer.

⚠WARNING *DO NOT operate the unit if it's damaged during shipping, handling, or use. Damage could result in bursting and cause injury or property damage.*

ASSEMBLY

Use 1/2" (13 mm) wrench to assemble pressure washer. On model 5525PW use two adjustable or 7/16" wrenches.

1. Slide the handle assembly over the lower legs of the cart base. Use the standard nut and bolt to secure the legs. See Figure 1.



Figure 1 - Assemble Handle

2. Connect clear plastic hose to brass barb on pump (See Figure 2).

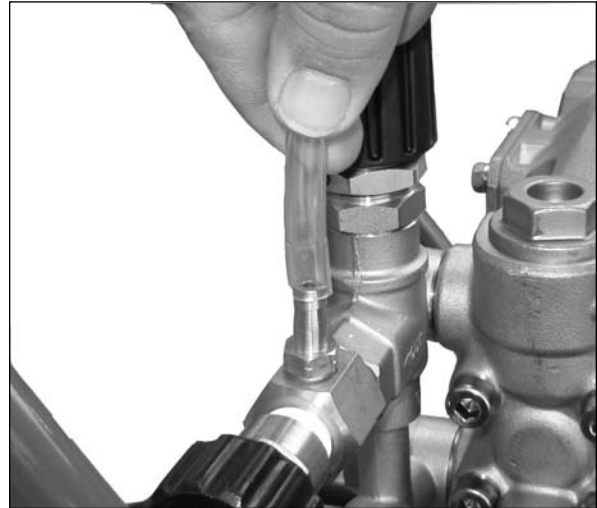


Figure 2 - Connect hose to brass barb

3. Secure garden hose (not included) to the inlet connection on pump (See Figures 3 and 4).

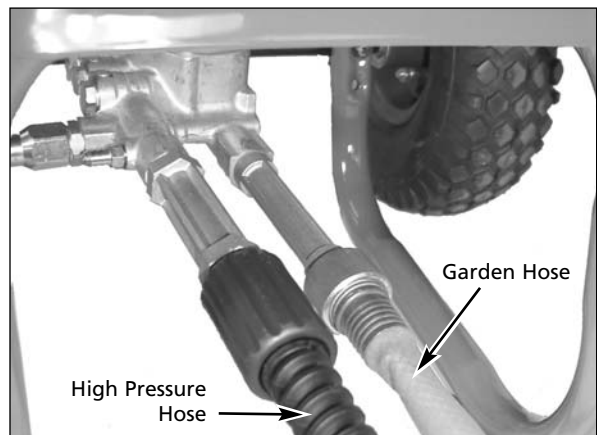


Figure 3 - Secure garden hose

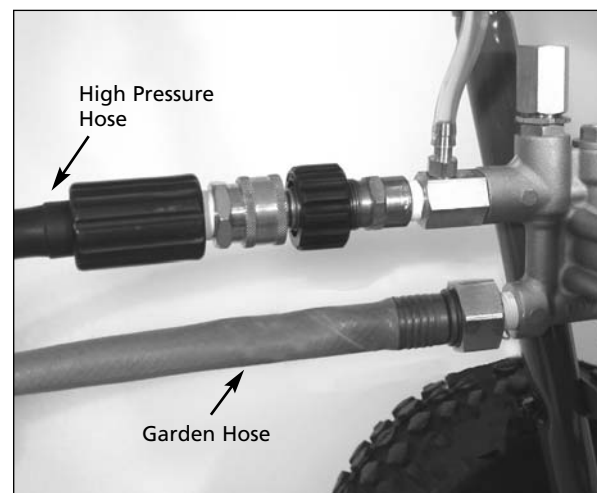


Figure 4 - Connect high pressure hose to pump

PRE-OPERATION

4. Connect the high pressure hose to the pump outlet (See Figure 4).
5. Attach the lance with nozzle to the gun (See Figure 5).



Figure 5 - Attach lance to gun

6. Install quick connect tip by pulling back on collar and pressing in tip. Release collar, make sure it completely returns to its forward position and tip is secure (See Figure 6).

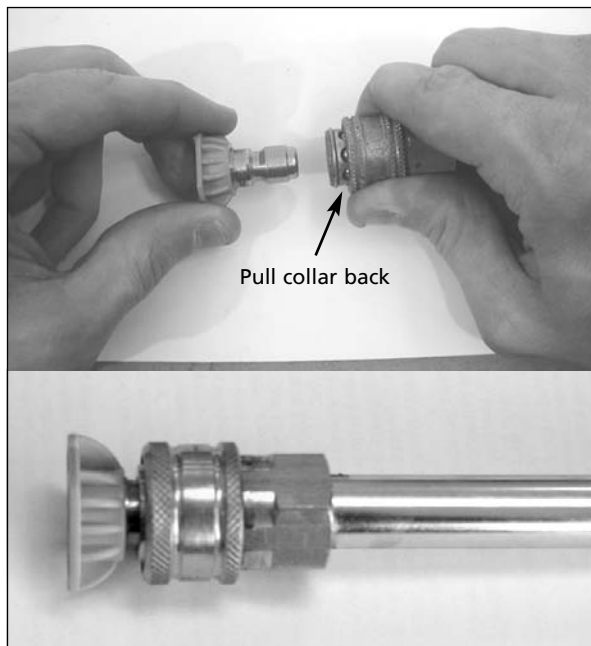


Figure 6 - Quick Connect Tip

For models 5525PW: Insert spray tips into the rubber tip holder. Then attached the tip holder to handle by wrapping around and inserting tail end through hole to secure (See Figure 7).

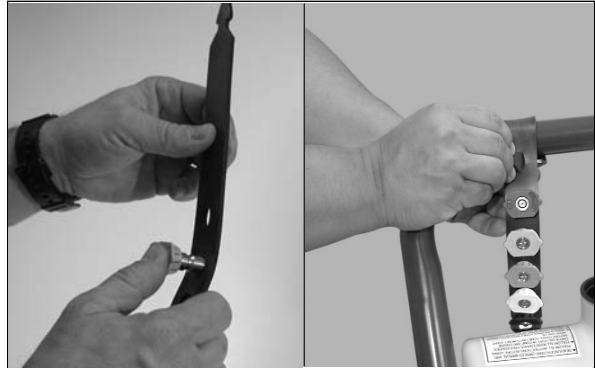


Figure 7 - Insert spray tips into the rubber tip holder

For models 6027PW, 9032PW, and 1340PW: Insert spray tips into rubber grommets on placard (See Figure 8).



Figure 8 - Insert spray tips into the placard

PRE-OPERATION

TRIGGER SAFETY LATCH

In the engaged position, the trigger safety latch prevents the gun from being triggered accidentally. Pull the latch up to engage it (See Figure 9). ALWAYS engage the trigger safety latch when the unit is not in use.

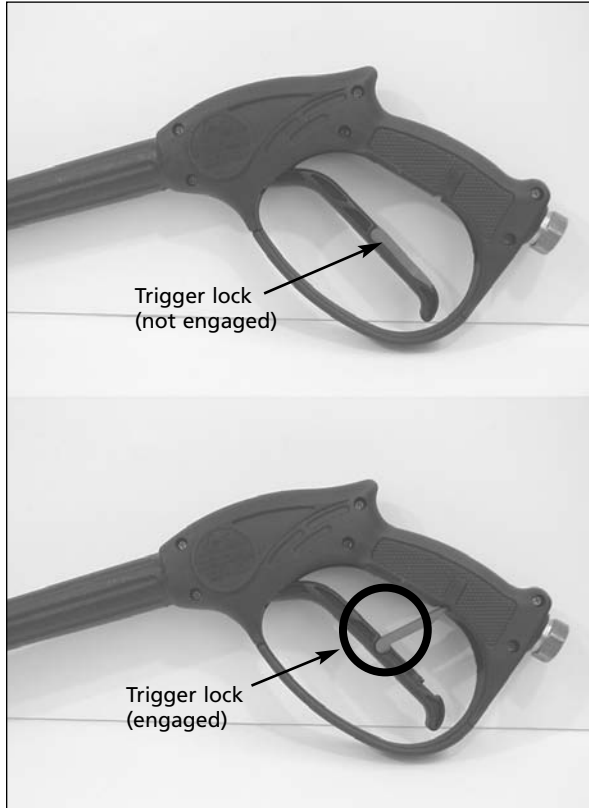


Figure 9 - Trigger lock

OPERATION

1. Surface Preparation

ALWAYS engage the trigger safety latch when unit is not in use. The following cleaning procedure will help you organize your cleaning task and ensures that you will achieve the best results in the shortest amount of time. Remember to use the spraying / cleaning techniques mentioned in the following section.

Before starting a pressure washer cleaning job, prepare the surface you intend to clean. Clear furniture from the area and make sure that all windows and doors are closed tightly. Also, protect all plants and trees near the cleaning area with a drop cloth. A covering ensures that your plants won't be sprayed by the detergents.

2. Start Up

ALWAYS use this start up procedure to ensure that the unit is started safely and properly.

NOTICE *If water has frozen in the pressure washer, thaw the pressure washer in a warm room before starting. DO NOT pour hot water on or into the pump; internal parts will be damaged.*

1. Check engine oil levels. Add oil as necessary.

NOTE: Some units are equipped with a low oil sensor that shuts the engine off if the oil level falls below a certain level. If the unit stops unexpectedly, check both the oil and fuel levels. Check the oil level each time you refuel the unit.

2. Check fuel level. Add unleaded gasoline (rated 86 octane or higher) as required.

AWARNING *DO NOT refuel a hot engine. Refueling a hot engine could cause a fire. Use only fresh, clean unleaded gasoline. Close the fuel shutoff valve during refueling.*



3. Attach a garden hose to the inlet connection for garden hose and connect it to the water supply. Use a hose with a minimum inside diameter of 5/8" (.016 m) and a length of 50 ft. (15 m) or less.

NOTICE *Some local plumbing codes require backflow prevention when connecting to a fresh water supply. Install a backflow preventer upstream from the pump if necessary.*

- a. If inlet water pressure is over 100 psi, install a regulating water valve at the garden hose connection.
- b. DO NOT exceed 100° F (38° C) inlet water temperature.

NOTE: The inlet water supply must have a minimum flow rate of 8 gpm (30 lpm) or 5 gpm (19 lpm) on 5525PW.

4. Turn the water supply ON.

NOTICE *NEVER run the unit dry. Be sure the water supply is completely turned on before operating the unit.*

5. Squeeze the gun until water sprays from the tip indicating that all air is purged from the system. Set the trigger safety latch.

6. **On model 5525PW: Honda GC Engine:**
Open the fuel shutoff valve by turning the knob counterclockwise until it stops. Close the choke (if engine is cold) by pulling the choke lever out. The throttle is fixed.

On model 1340PW, 6027PW, and 9032PW: Honda GX engine:

Open the fuel shutoff valve by pushing the lever to the right. Close the choke (if the engine is cold) by moving the choke lever fully to the left. The throttle is fixed. Turn the On/Off switch to the "ON" position.

7. **Start the engine:**

If the engine is cold, completely close the engine choke.

If the engine is warm, leave the choke open or just partially closed. Unlock the trigger safety latch on the gun. Grasp the starter rope and brace one foot on the chassis. While squeezing the trigger on the gun, pull the starter rope rapidly and firmly. Continue holding the rope as it returns. Repeat these steps until the engine starts. In cool weather, the choke may have to be kept closed for 10 to 30 seconds to keep the engine running. Otherwise, open the choke as soon as the engine starts.

CAUTION *When pulling the starter rope, make sure to keep your hand and arm clear of the engine and cart components.*

NOTICE *NEVER let the starter rope return by itself. Doing so could jam the recoil system.*

3. Initial High Pressure Rinse

After the engine starts, trigger the gun 3 to 5 times to get any trapped air out of the system. After the spray becomes constant, you may need to adjust the pressure (see pages 13 and 14 for cleaning techniques).

OPERATION

PRESSURE ADJUSTMENT

Models 9032PW and 1340PW have a pressure adjustment knob located on the pump (see Figure 10). Turn the knob clockwise to increase the pressure. Turn the knob counter clockwise to decrease the pressure. DO NOT try and force the knob to turn. The knob may already be at either the lowest or highest setting.

If there is not a plastic adjustment knob located on the pump (See Figure 10), then the pressure cannot be adjusted. The only way to adjust the pressure is to move closer or further away from the cleaning surface and adjust the spray fan angle as shown in the next section.

ADJUSTING THE SPRAY FAN ANGLE

Your unit has quick connect tips that have a range of spray fan angles. Model 5525PW includes the black detergent and yellow 15° quick connect tips only.

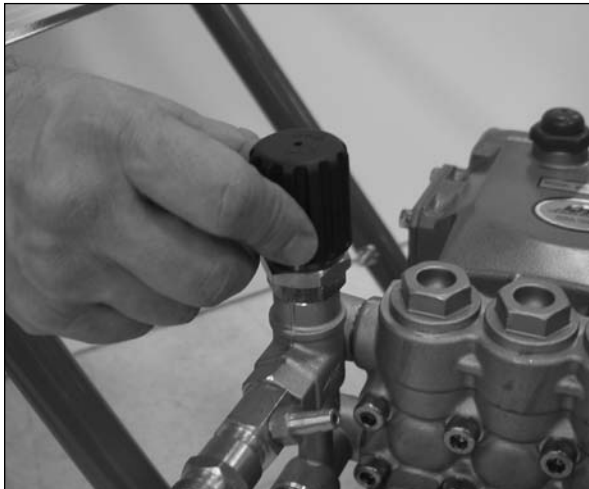


Figure 10 - Camshaft pump pressure adjustment

The quick connect tips can be switched out from a 0° narrow high impact stream to a 65° wide fan spray.

A narrow stream has high impact force on the cleaning surface and results in maximum deep cleaning in a concentrated area. However, this narrow high impact spray can damage some surfaces, so use it cautiously. Not recommended for use on automotive paint, trim and vinyl siding.

The color of the tip shows what spray angle it is:

Red - 0° - Maximum Duty

Yellow - 15° - Heavy Duty

Green - 25° - General Duty

White - 40° - Light Duty

Black - 65° - Low Pressure Detergent

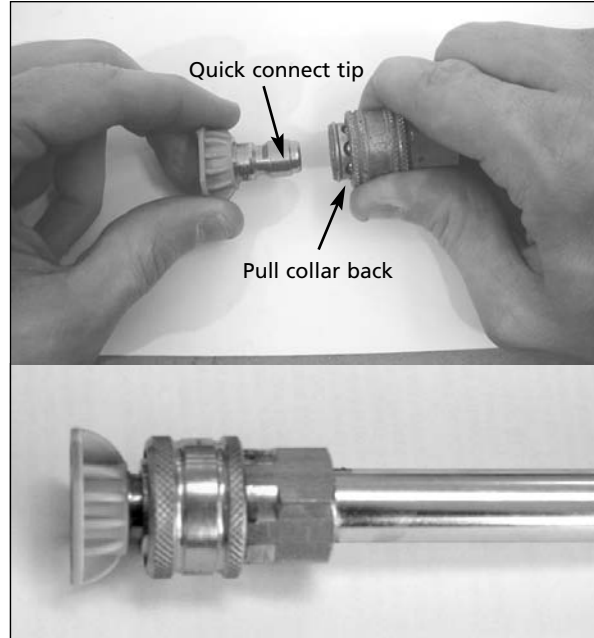


Figure 11 - Installing Quick Connect Tip

A wide fan pattern will distribute the impact of the water over a larger area resulting in excellent cleaning action with reduced risk of surface damage. Clean large surface areas quickly using a wide fan pattern.

ANGLE TO THE CLEANING SURFACE

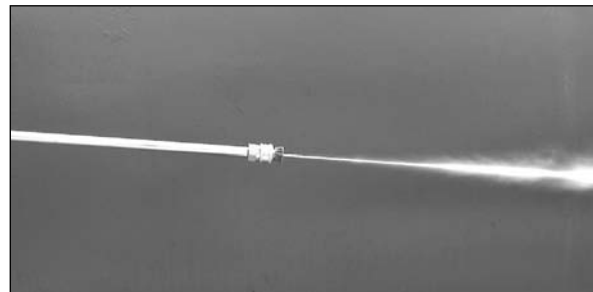


Figure 12 - Narrow high impact stream

When spraying water against a surface, you can generate maximum impact by striking the surface head on. However, this type of impact can cause dirt particles to embed in the surface and can prevent the desired cleaning action.

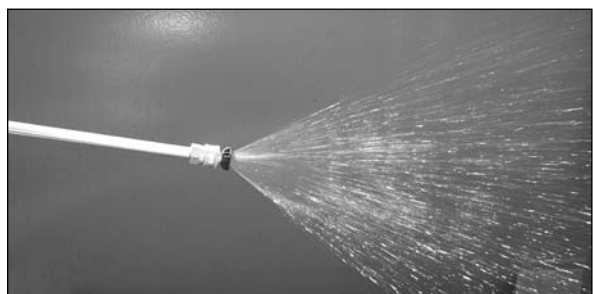


Figure 13 - Wide fan pattern

OPERATION

Spray water against a surface at a 45 degree angle to achieve the most beneficial impact force and to efficiently remove debris.

DISTANCE FROM CLEANING SURFACE

The distance between the spray nozzle and the cleaning surface is another factor that affects the impact force of the water. The impact force of the water increases as the nozzle is moved closer to the surface.



Figure 14 - Optimum angle to cleaning surface

HOW TO AVOID DAMAGING SURFACES

Damage to cleaning surfaces occurs because the impact force of the water exceeds the durability of the surface. You can vary the impact force by controlling the spray tip angle to the cleaning surface and the distance from the cleaning surface and by changing the spray tip. NEVER use a narrow high impact stream on a surface that is susceptible to damage. Avoid spraying windows with a narrow high impact stream. Doing so may break the window. The most sure way to avoid damaging surfaces is to follow these steps:

1. Before triggering the gun, make sure the quick connect tip you are using is appropriate for the application.

The color of the tip shows what spray angle it is:

Red – 0° – Maximum Duty

Yellow – 15° – Heavy Duty

Green – 25° – General Duty

White – 40° – Light Duty

Black – 65° – Low Pressure Detergent

2. Place the spray tip approximately 4-5 feet (1,22-1,52 m) away from the cleaning surface. Then hold the lance and spray tip at a 45 degree angle to the cleaning surface. Trigger the gun.

3. Vary the fan pattern spray angle and the distance to the cleaning surface until optimum cleaning efficiency is achieved without damaging the surface.

4. Detergent Application

NOTE: Use only detergents formulated for pressure washers.

NOTE: Test detergent in an inconspicuous area before use.

⚠WARNING NEVER replace quick connect tip when gun is triggered.

DETERGENTS

The use of detergents can dramatically reduce cleaning time and assist in the removal of difficult stains. Many detergents are customized for pressure washer use on specific cleaning tasks. Pressure washer detergents are as thick as water. Using thicker detergents – like dish soap – will clog the chemical injection system and prevent the application of the detergent.

Once applied to a cleaning surface, detergents take time to break down dirt and grime. Detergents work best when applied at low pressure.

You can effectively clean surfaces by combining the chemical action of detergents with high pressure rinses. On vertical surfaces, apply the detergent starting at the bottom and work your way upward. This method prevents the detergent from sliding down and causing streaks. Begin high pressure rinsing at the bottom and work your way upward. On particularly tough stains, use a brush in combination with detergents and high pressure rinsing.

1. Follow manufacturer's label directions for mixing correct concentrations of soap/detergents. The soap detergent to water ratio through the pump is approximately 10% (1 to 10).
2. Insert the filter end of the clear plastic detergent tube into the detergent container.
3. Use the BLACK 65° quick connect spray tip (all models) (See Figure 15).

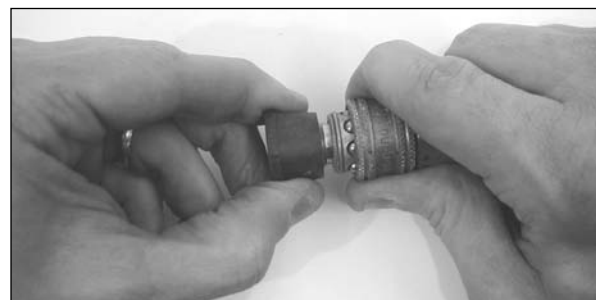


Figure 15 - Quick Connect Tip

OPERATION

GENERAL CLEANING TIPS

1. Apply the detergent so that it thoroughly covers the cleaning surface. Apply the detergent from bottom to top to prevent the detergent from sliding down and streaking. Wait a couple of minutes for the detergent to break down the dirt and grime. Use a brush to lightly scrub heavily soiled areas. NEVER allow the detergent to dry on the cleaning surface.
2. Replace black 65° quick connect tip with another color tip.

⚠WARNING NEVER replace quick connect tip when gun is triggered.

3. After using detergents, flush the suction system by placing the detergent suction tube into a bucket of clean water.

5. Cleaning Power

The easiest way to regulate the cleaning power of your pressure washer is by changing the distance from the surface you are cleaning. Begin spraying with a wide fan pattern while standing several feet from the surface. Slowly move closer to the object you are cleaning, adjusting the spray pattern as necessary, until you find the most effective cleaning technique.

NOTE: Some units also may have a pressure adjustment knob on the pump that can adjust the pressure (models 9032PW and 1340PW).

6. Final Rinse

The final rinse should start at the bottom and work upward. Make sure that you thoroughly rinse the surface and that you remove all detergent.

7. Shutdown

1. Be sure all detergent is flushed from system.
2. Turn the engine OFF.
3. Turn the water supply OFF.
4. After the engine and water supply are turned OFF, trigger the gun to depressurize the system.

⚠NOTICE NEVER turn the water supply off before turning the enginemotor off. Serious damage could occur to the pump and/or enginemotor.

⚠CAUTION NEVER disconnect the high pressure discharge hose from the machine while the system is pressurized. To depressurize, turn enginemotor off, turn water supply off and squeeze gun trigger 2-3 times.

PRESSURE RELIEF PROCEDURE

To reduce the risk of bodily injury or property damage, ALWAYS follow this procedure whenever spraying is stopped, when work is completed, and before checking or repairing any part of the system.

1. Engage the trigger safety latch.
2. Turn the unit off.
3. Shut off the water supply.
4. Disengage the trigger safety latch and trigger the gun to relieve pressure.
5. Re-engage the trigger safety latch.
6. Before overnight storage, long term storage, or transporting unit, disconnect the water supply and turn off the fuel supply valve.

5. After each use, when engine has cooled, wipe all surfaces of the pressure washer with a clean, damp cloth.
 - DO NOT store the pressure washer outdoors.
 - DO NOT store the pressure washer where it might freeze unless it has been properly winterized.

8. Storage

LONG TERM STORAGE INSTRUCTIONS (MORE THAN 30 DAYS IN STORAGE)

1. Remove fuel from the tank and run the pressure washer in a normal operating mode until the engine stops from a lack of fuel. Normal operating mode means actually spraying water from the gun while the engine is running.

Alternate method – Add fuel stabilizer to gas in the tank and run in normal operating mode for at least five minutes.
2. Stop the engine, turn off the water supply, and trigger the gun to release pressure in the high-pressure hose.

OPERATION

3. Disconnect the water supply and high pressure hose from the pump.
4. Allow the engine to cool.
5. Disconnect the spark plug wire and remove the spark plug.
6. Pour 1/2 oz. of engine oil into the spark plug hole.

WARNING *NEVER pull the starter rope on the engine when the spark plug is removed unless the spark plug hole is covered. Fuel vapor from the hole can ignite by a spark.*



7. Place a rag over the spark plug hole and slowly pull the starter rope several times to distribute the oil.
8. Disconnect the high pressure hose from the pump.
9. Insert a 12" to 14" piece of garden hose into the pump inlet.
10. Place a funnel in the other end of the garden hose.

NOTICE *Read the manufacturer's instructions for safe handling and disposal of RV antifreeze.*

11. Pour approximately 6 oz. of RV antifreeze into the funnel.
12. Pull the starter rope several times until the RV antifreeze comes out of the pump outlet.
13. Disconnect the high pressure hose from the gun and drain the hose. Hold the gun and lance in a vertical position and squeeze the trigger to drain the water.

CAUTION *Never store the pressure washer with gasoline in the tank inside a building where fumes may reach an open flame or spark. Allow the engine to cool before storing in any enclosure.*

NOTE: To winterize unit, please follow the same instructions for Storage.

TIPS FOR EXTENDING THE LIFE OF YOUR PRESSURE WASHER

- NEVER operate the unit without water.
- Your pressure washer is not meant to pump hot water. NEVER connect your pressure washer to a hot water supply as it will significantly reduce the life of the pump.
- Running the unit for more than two minutes without spraying water causes heat to build up in the pump. Running the unit without spraying water can damage pump components.
- Release the trigger prior to switching the lance between high and low pressure. Failure to do so may reduce the life of the o-rings in the lance.

MAINTENANCE

Observe regular maintenance intervals to ensure maximum performance and life from the pressure washer. Refer to the schedule for recommended maintenance. If you operate the pressure washer in dusty conditions, perform maintenance checks more often.

ENGINE OIL CHANGING INSTRUCTIONS

CAUTION Before tipping the engine or equipment to drain oil, drain fuel from the fuel tank.

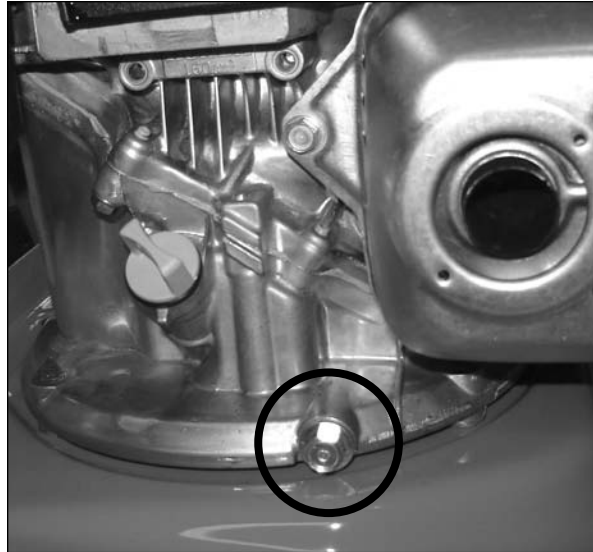
NOTE: Change oil while the engine is cool.

1. Disconnect the spark plug wire from the spark plug.
2. Locate and remove the engine oil drain plug (see Figure 18).
3. Drain old oil.
4. Replace the drain plug and set the unit upright.
5. Refill the unit with new oil of a recommended type and quantity. Fill the unit to the proper level shown on the dipstick (if provided). Otherwise, fill the unit to the top of the oil filler neck.

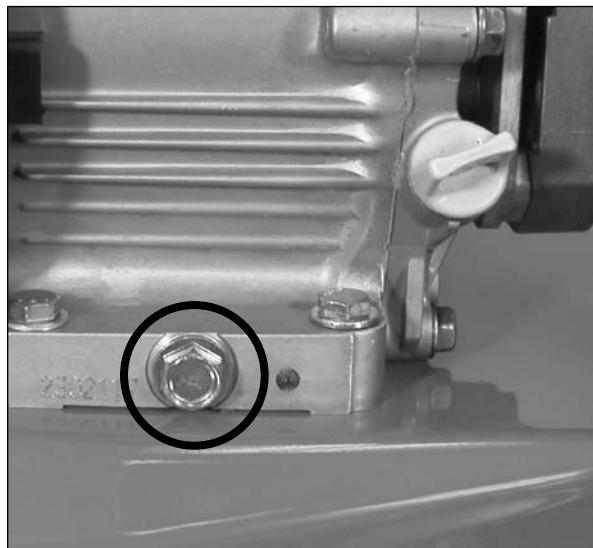
Engine Oil Type SAE 10W-30
SAE 30W (Above 60 °F/15.7° C)

Engine Oil Capacity

5525PW - Honda GCV160 - 18.6 fl. oz. (0.550 L)
6027PW - Honda GX160 - 20 fl. oz. (0.591 L)
9032PW - Honda GX270 - 37 fl. oz. (1.090 L)
1340PW - Honda GX390 - 37 fl. oz. (1.090 L)



Model 5525PW - Engine Oil Drain Plug



Models 1340PW, 6027PW, and 9032PW - Engine Oil Drain Plug

Figure 16

MAINTENANCE

CHECKING PUMP OIL AND PUMP OIL CHANGING

Checking oil level: Most pumps have either a sight glass or a dipstick (or both) to check the pump oil level. The correct oil level is at the center of the sight glass (center of red dot). The sight glass is usually located on the back side of the pump [See Figure 19 (B)].

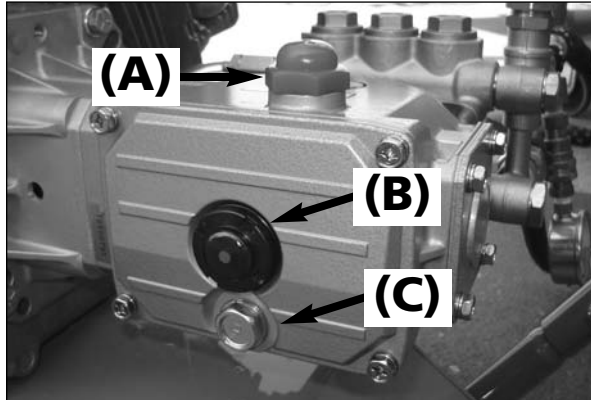


Figure 17 - Pump Oil Filler Vent Cap (A), Sight Glass (B), and Drain Plug (C) Locations

For model 5525PW: Pump is factory sealed. Changing or refilling the oil in the pump requires removal of the pump from the engine and should not be required unless oil has leaked out due to worn or damaged oil seals in the pump. If oil has leaked out of the pump, bring the pressure washer to a certified service center for repair.

For models 6027PW, 9032PW, and 1340PW: These units all have a sight glass to check the oil level and have a drain plug to remove the old oil when changing. To add oil remove vent cap from top of pump [See Figure 19 (A)].

Changing oil: Remove the oil drain plug located at the backside of the pump [See Figure 19 (C)]. Drain old oil. Replace drain plug. Refill pump with the correct type and amount of oil (see below for oil types and amounts). Check oil level. Upon starting the pressure washer check for any pump oil leaks.

Pump Oil Type

5525PW - LAVOR Pump - Special. See pump parts list.

6027PW, 9032PW, 1340PW - CAT Pumps - Special CAT pump oil. Use 531 30 74-83.

DO NOT use any oil in pumps other than the manufacturer's oil.

MAINTENANCE SCHEDULE

Maintenance Schedule	Action needed
Each use	<ul style="list-style-type: none">• Check water inlet screen and filter.• Check engine and pump oil levels. Fill as necessary. Cannot check pump oil on the 5525PW.• Check gasoline level. Fill as necessary.
After first 5 hours of operation	<ul style="list-style-type: none">• Change engine break-in oil. Use SAE30 or 10W-30 detergent oil if below 60° F (15.7° C).
After first 50 hours of operation	<ul style="list-style-type: none">• Change pump oil. Cannot check or change pump oil on the 5525PW.
Every 25 hours of operation	<ul style="list-style-type: none">• Change engine oil if operating under heavy load or high ambient temperature.• Remove and clean foam pre-cleaner or foam air filter (if applicable). Wash with water and mild detergent. Dry thoroughly. Rub with oil and squeeze to distribute oil.
Every 50 hours of operation	<ul style="list-style-type: none">• Change engine oil.• Replace spark plug.
Each 100 hours of operation or every 3 months	<ul style="list-style-type: none">• Clean or replace paper air cleaner cartridge. Tap gently to remove dirt.• Change engine oil.
Every 500 hours of operation (5 months)	<ul style="list-style-type: none">• Change pump oil. Cannot check or change pump oil on the 5525PW.

NOTE: This is a general maintenance schedule. Refer to the Engine operation manual for specific information on your engine.

TECHNICAL AND CONSUMER INFORMATION

Pressure Washers

Engine Oil Type SAE 10W-30
SAE 30W (Above 60 °F/15.7° C)

Engine Oil Capacity
5525PW -Honda GCV160 - 18.6 fl. oz. (0.550 L)
6027PW -Honda GX160 - 20 fl. oz. (0.591 L)
9032PW -Honda GX270 - 37 fl. oz. (1.090 L)
1340PW -Honda GX390 - 37 fl. oz. (1.090 L)

Engine Fuel Capacity
5525PW -Honda GCV160 - 1.2 US quarts (1.09 L)
6027PW -Honda GX160 - 3.3 US quarts (3.1 L)
9032PW -Honda GX270 - 5.6 US quarts (5.3 L)
1340PW -Honda GX390 - 6.4 US quarts (6.1 L)

Pump Oil Type
5525PW -Lavor Pump -Special. See pump parts list.
6027PW, 9032PW, 1340PW -CAT Pumps -Special CAT pump oil. See pump parts list.
DO NOT use any oil in pumps other than the manufacturer's oil.

Pump Oil Capacity
5525PW -AR RM Pump -3.5 fl.oz. (0.103 L)
6027PW -CAT 3DNX Pump -8.5 fl.oz. (0.251 L)
9032PW -CAT 66DX Pump -10.15 fl.oz. (0.532 L)
1340PW -CAT 66DX Pump -18 fl.oz. (0.532 L)

Pump Detergent Suction
Water to detergent ratio (5525PW) 8 to 1 (12% detergent)
Water to detergent ratio (6027PW, 9032PW, 1340PW) 10 to 1 (10% detergent)

Water Supply Requirements
Minimum inlet pressure 20 psi
Maximum inlet pressure 100 psi
Maximum inlet temperature 100° F / 38° C
Minimum inlet flow rate
5525PW 5 gpm (18.9 lpm)
6027PW, 9032PW, 1340PW 2 times the rated flow of unit or 8 gpm (30.3 lpm)
Inlet garden hose size 5/8" ID (15.9 mm)
Maximum inlet garden hose length 50 ft. (15,2 m)

TROUBLESHOOTING CHART

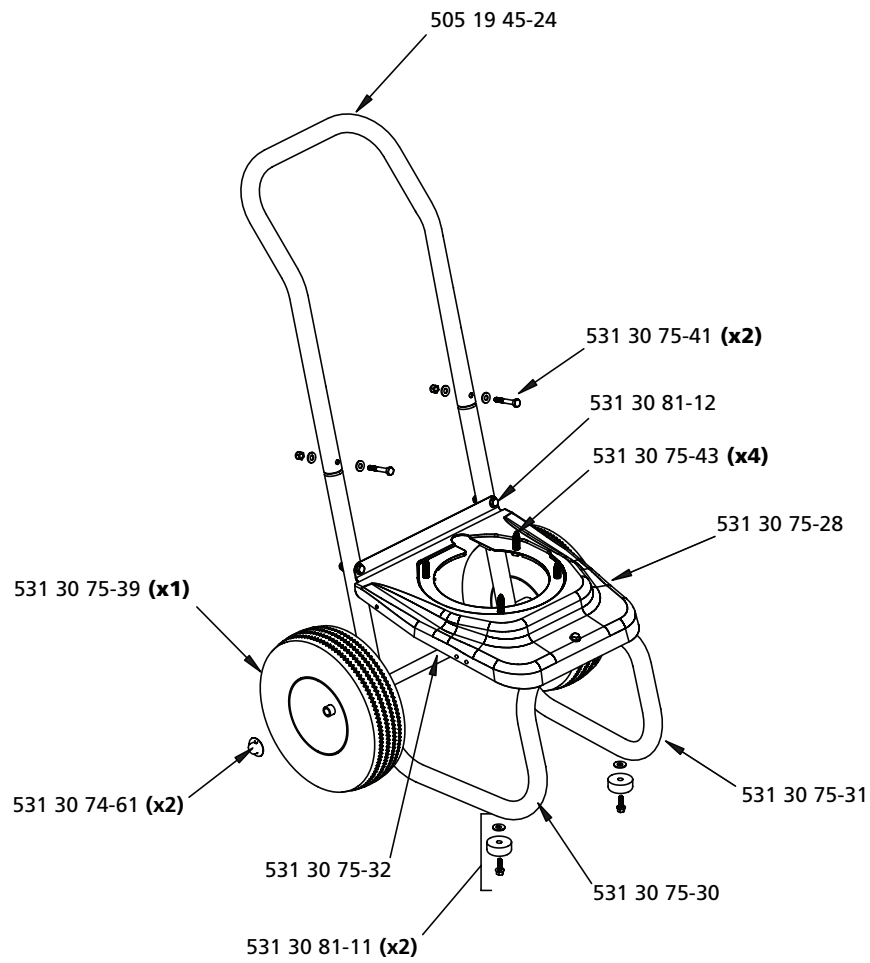
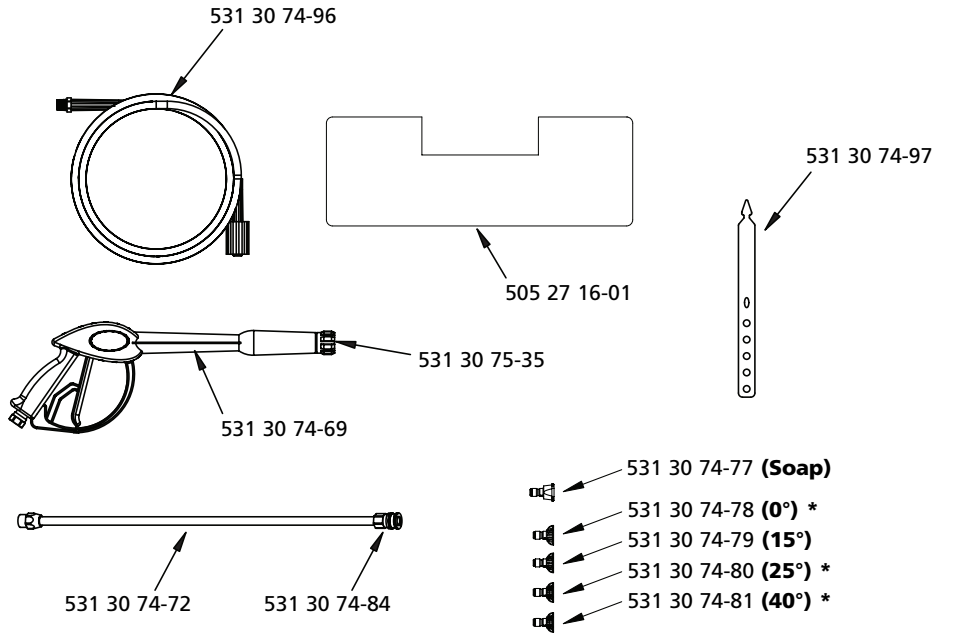
Troubleshooting Chart - Gasoline Powered Pressure Washers Only

Symptom	Possible Cause(s)	Corrective Action(s)
Engine will not start or is hard to start	<ol style="list-style-type: none"> 1. No gasoline in fuel tank or carburetor 2. Low oil 3. Start/Stop switch in stop position 4. Water in gasoline or old fuel 5. Dirty air cleaner filter 6. Spark plug dirty, wrong gap or wrong type 7. Spray gun closed 8. Other causes 	<ol style="list-style-type: none"> 1. Fill the tank with gasoline, open fuel shut off valve. Check fuel line and carburetor 2. Check oil level. Fill if necessary 3. Move switch to start position 4. Drain fuel tank and carburetor. Use new fuel and dry spark plug 5. Remove and clean or replace 6. Clean, adjust the gap, or replace 7. Trigger spray gun 8. See engine owner's manual
Engine misses or lacks power	<ol style="list-style-type: none"> 1. Partially plugged air cleaner filter 2. Spark plug dirty, wrong gap or wrong type 3. Bad Fuel 	<ol style="list-style-type: none"> 1. Remove and clean or replace 2. Clean, adjust the gap, or replace 3. Drain fuel and carburetor. Use new fuel.
Low pressure and/or pump runs rough	<ol style="list-style-type: none"> 1. Worn or wrong size tip 2. Inlet filter on pump clogged 3. Worn water seals, abrasives in water, or natural wear 4. Fouled or dirty inlet or discharge valves 5. Restricted inlet 6. Worn inlet or discharge valves 7. Leaking high pressure hose 8. Pump drawing in air 9. Unloader valve seat faulty or worn 10. Inlet water temperature too high 	<ol style="list-style-type: none"> 1. Replace with tip of proper size 2. Clean. Check more frequently 3. Check filter. Replace water seals. See service center 4. Clean inlet and discharge valve assemblies. Check filter 5. Check garden hose, may be collapsed or kinked. Check inlet water flow 6. Replace worn valves 7. Replace high pressure hose 8. Ensure hoses and fittings are tight 9. Check and replace 10. Check water temperature; may not exceed 100° F / 38° C
Water leakage from under pump manifold	Worn water seals	Install new water seals. See service center
Water in pump crankcase (milky oil)	<ol style="list-style-type: none"> 1. Humid air condensing inside crankcase 2. Oil seals leaking 3. Water seals leaking 	<ol style="list-style-type: none"> 1. Change oil as specified in maintenance schedule 2. Install new oil seals. See service center 3. Install new water seals. See service center
Frequent or premature failure of the pump water seals	<ol style="list-style-type: none"> 1. Scored damaged or worn plungers 2. Abrasive material in the fluid 3. Inlet water temperature too high 4. Overpressurizing pump 5. Excessive pressure due to partially plugged or damaged tip 6. Pump running too long without spraying 7. Pump running dry 	<ol style="list-style-type: none"> 1. Install new plungers. See service center 2. Install proper filtration on pump inlet plumbing 3. Check water temperature; may not exceed 100° F / 38° C 4. DO NOT modify any factory set adjustments 5. Clean or replace tip 6. NEVER run pump more than 2 minutes without spraying 7. DO NOT run pump without water
Strong surging at the inlet and low pressure	Foreign particles in the inlet or discharge valve or worn inlet and/or discharge valves	Clean or replace valves. See service center

TROUBLESHOOTING CHART

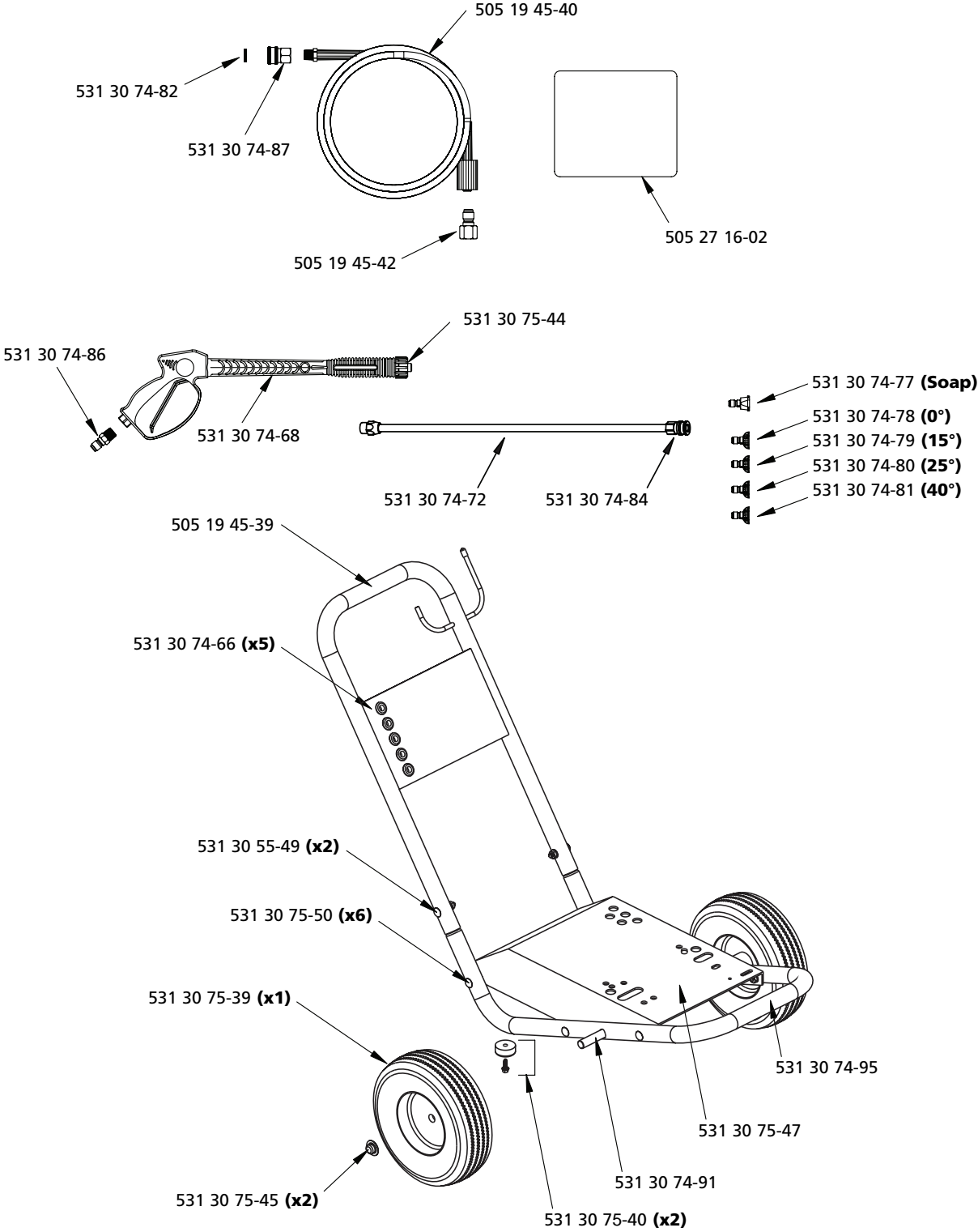
Symptom	Possible Cause(s)	Corrective Action(s)
Oil leakage between the engine and the pump	Worn oil seals and/or o-ring	Replace oil seals and/or o-ring. See service center
Fluctuating pressure	<ol style="list-style-type: none"> 1. Low engine oil 2. Pump valve worn, dirty or stuck 3. Pump drawing in air 4. Tip clogged 	<ol style="list-style-type: none"> 1. Add oil. 2. Check and replace 3. Ensure hoses and fittings are tight. Purge air from garden hose 4. Check or replace
Pressure drops after period of normal use	<ol style="list-style-type: none"> 1. Worn pump water seals 2. Spray tip worn 3. Pump valve worn, dirty or stuck 4. Unloader valve seat worn or dirty 5. If using high pressure soap lance accessory; nozzle in low PSI position 	<ol style="list-style-type: none"> 1. Check and replace 2. Check and replace 3. Check, clean or replace 4. Check, clean or replace 5. Pull back nozzle to high pressure position
Pump noisy / pump runs rough	<ol style="list-style-type: none"> 1. Pump drawing in air/low water supply 2. Valves dirty or worn 3. Worn bearings 4. Water too hot 	<ol style="list-style-type: none"> 1. Ensure fittings are tight. Increase water pressure 2. Check, clean or replace 3. Check and replace 4. Reduce temperature below 100°F / 38°C
Pressure washer will not spray detergent	<ol style="list-style-type: none"> 1. Not using quick connect detergent tip 2. Clog, kink, or hole in detergent suction hose 3. High pressure hose length too long 4. Detergent injector clogged 	<ol style="list-style-type: none"> 1. Use black quick connect detergent tip 2. If clean, unkink or replace hose 3. Use only hose length provided with initial purchase of pressure washer. Detergent suction will not function if more than once section of hose is attached to unit 4. Remove 1" (2,54 cm) tapered detergent barb from pump. Clean the barb, and make sure that ball and spring are properly aligned with tapered portion of the spring facing the ball. The ball should be on top of the spring

5525PW



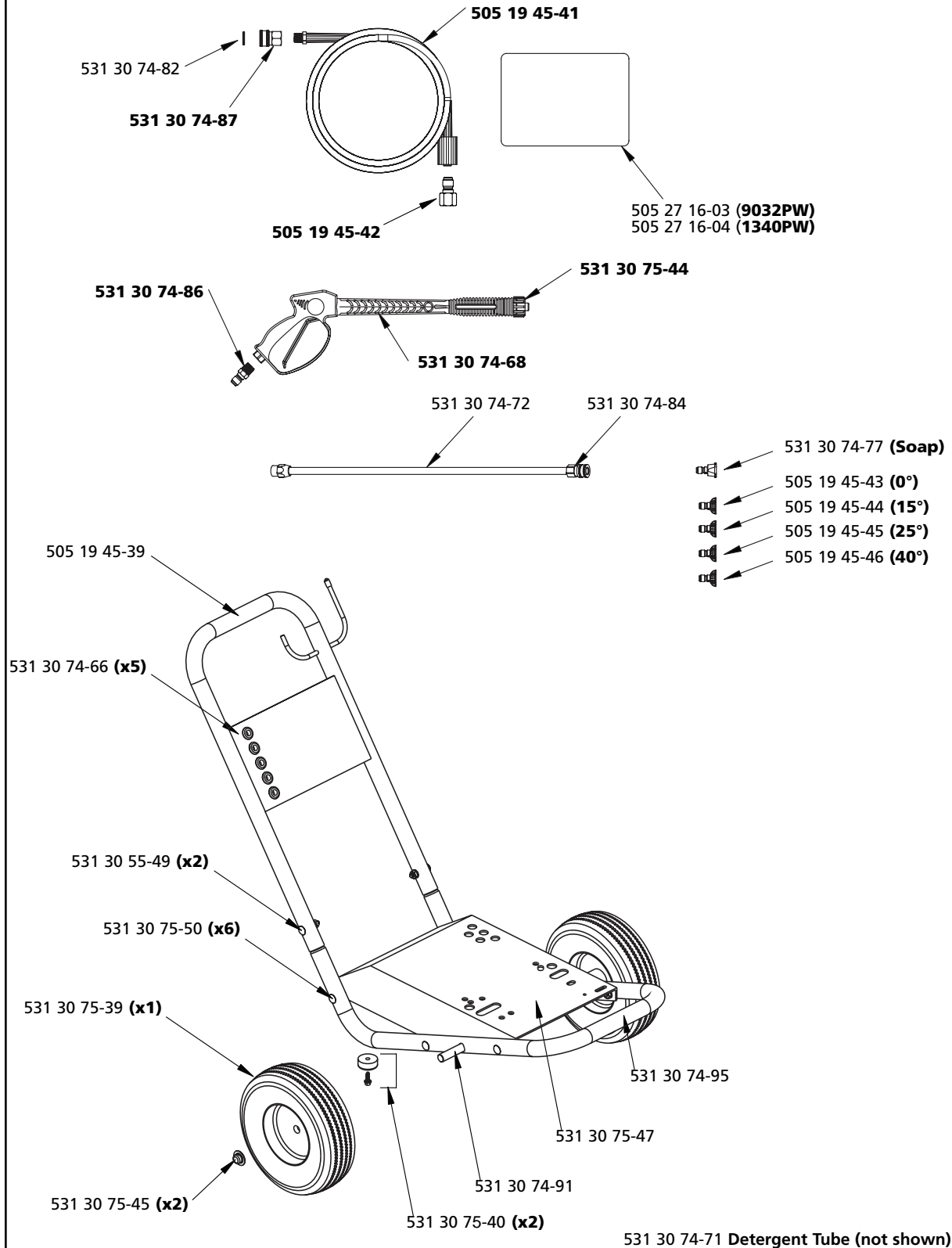
531 30 75-38 Detergent Tube (not shown)
 * Tips sold separately; contact your dealer to purchase

6027PW



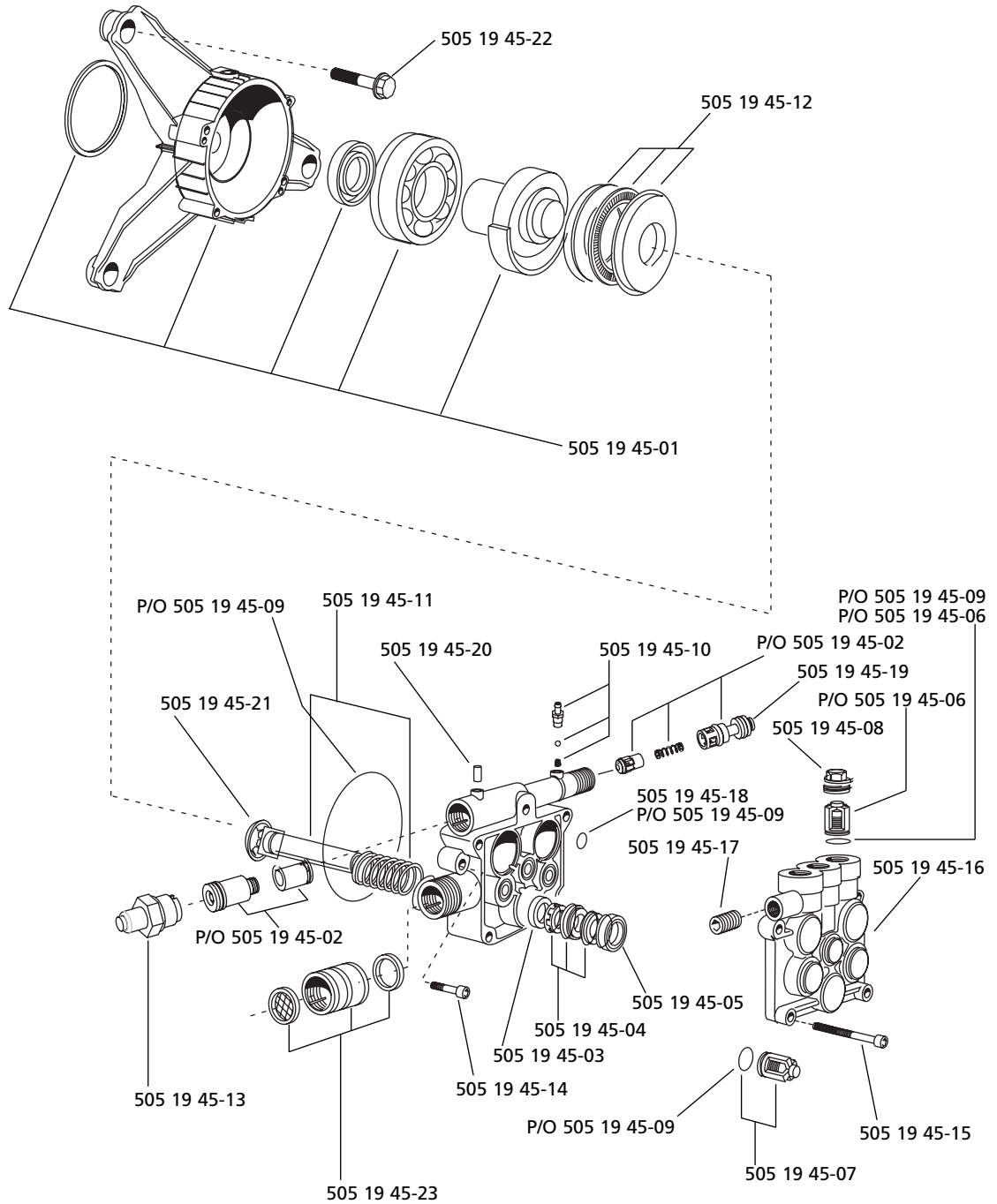
531 30 74-60 Detergent Tube (not shown)

9032PW & 1340PW



Pump for 5525PW

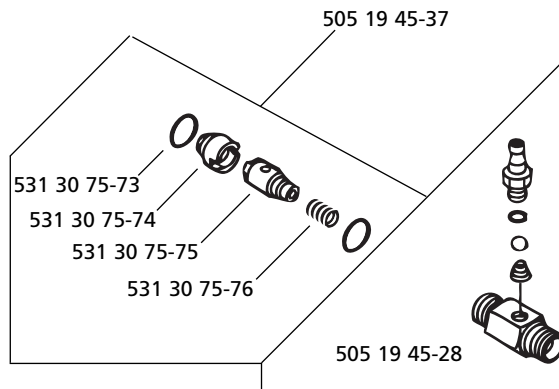
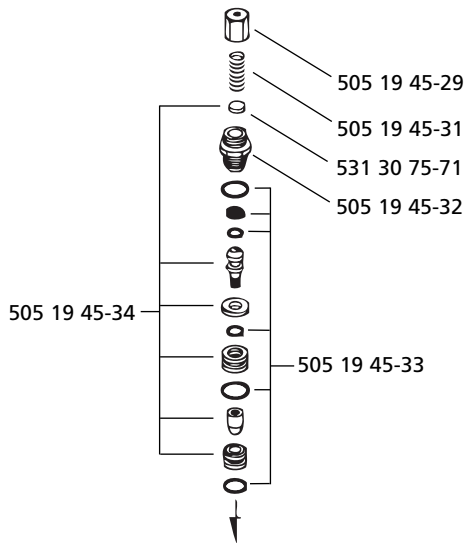
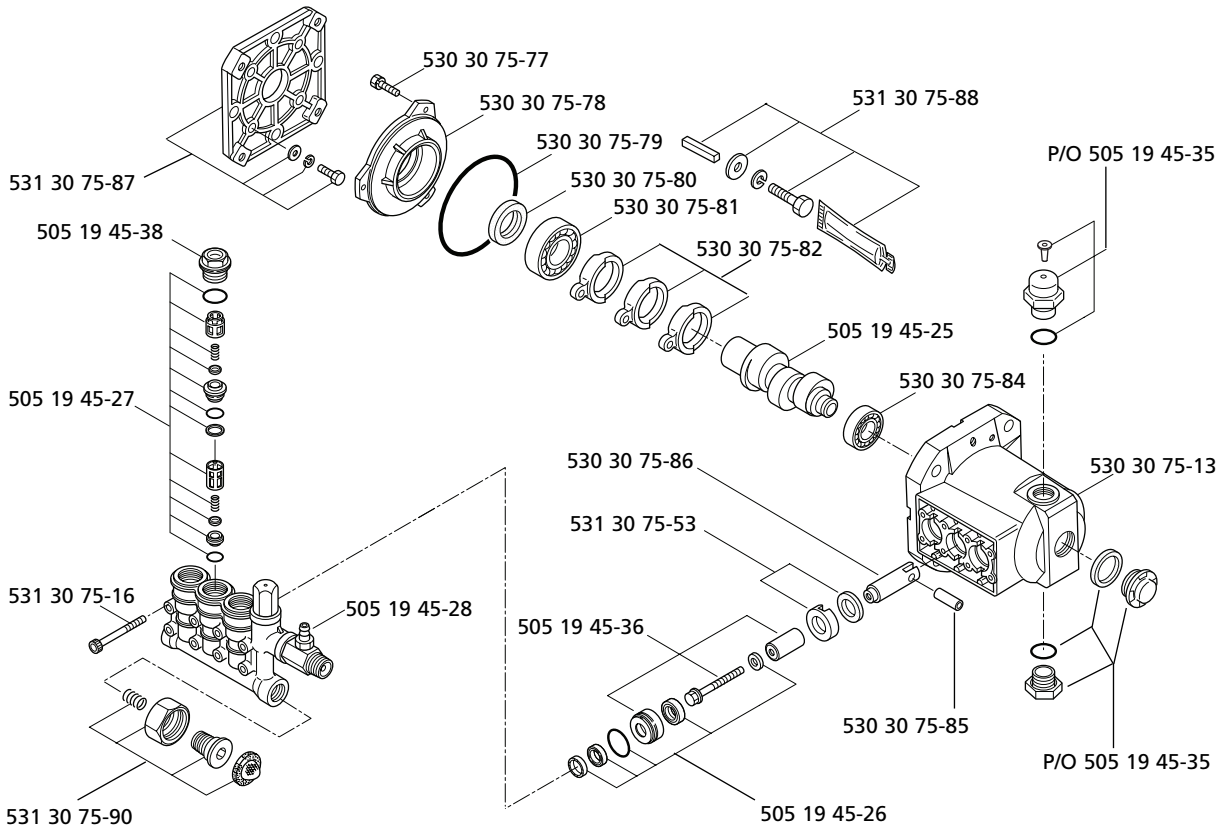
505 27 18-01 Pump Assembly Complete



Key: P/O = Part Of Kit

Pump for 6027PW

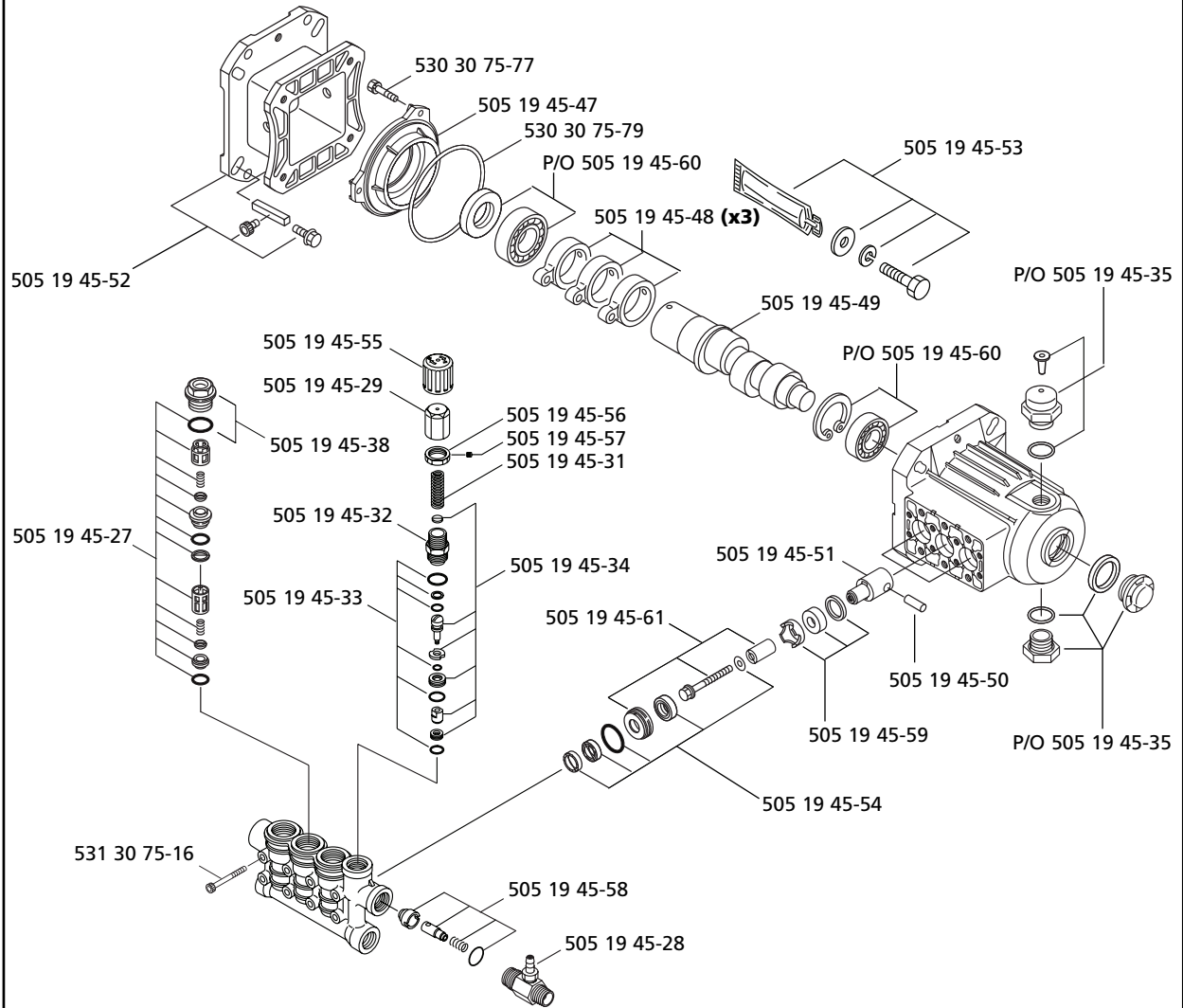
505 27 18-02 Pump Assembly Complete



531 30 74-83 Pump Oil (not shown)
Key: P/O = Part Of Kit

Pump for 9032PW

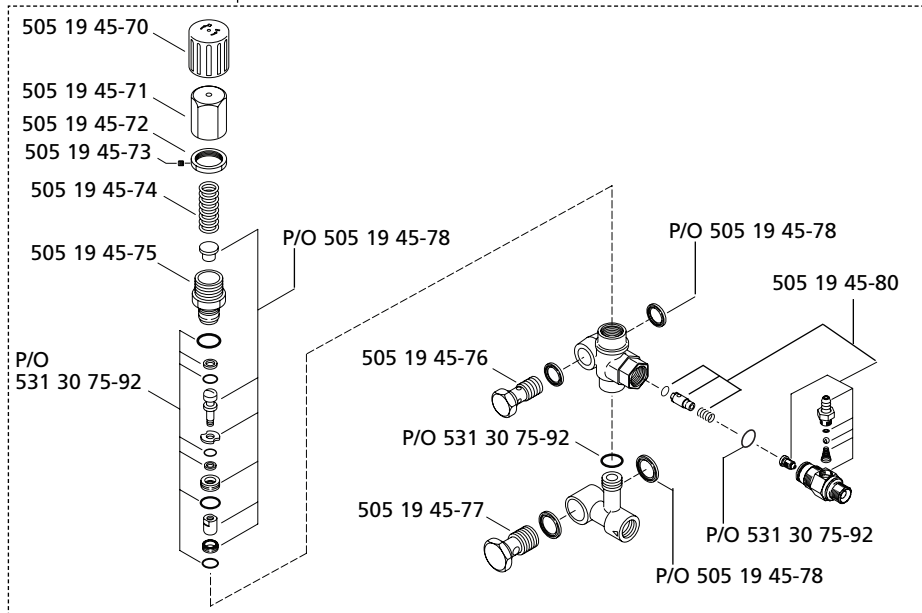
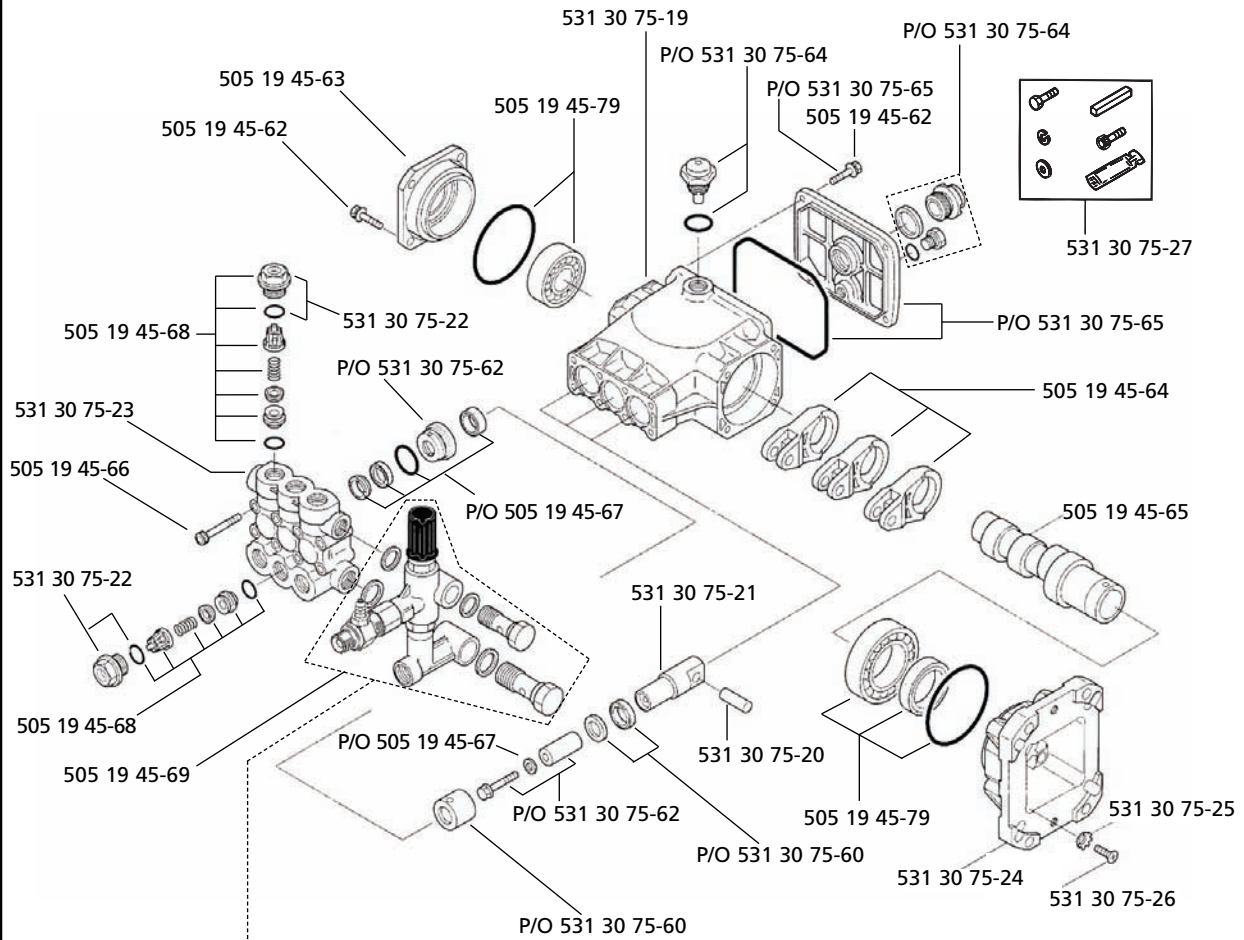
505 27 18-03 Pump Assembly Complete



531 30 74-83 Pump Oil (not shown)
Key: P/O = Part Of Kit

Pump for 1340PW

505 27 18-04 Pump Assembly Complete



531 30 74-83 Pump Oil (not shown)
Key: P/O = Part Of Kit

NOTES



Product Registration Notice!

Effective May 1, 2007

FAST! EASY! SIMPLE!

Register your Husqvarna product on-line quickly and easily. Paper registration forms will not be accepted. There will be a grace period for products built prior to January 1, 2007. All Husqvarna products can be registered online regardless of their model year. Register products online at www.usa.husqvarna.com, click the Product Registration tab and fill out the electronic form and submit. It's that easy!

The screenshot shows a web browser window with the URL <http://www.usa.husqvarna.com/>. The page title is "WELCOME TO HUSQVARNA - 1269". The navigation menu includes "Products", "Retailers & Service", and "The Company". The "Product Registration" link is highlighted in the top navigation bar. A sidebar on the left lists various product categories such as Chain saws, Power cutters, Trimmers & brush cutters, etc. The main content area is titled "PRODUCT REGISTRATION" and contains a form with the following sections:

- Product Purchased By:** Fields for * First Name, * Last Name, * Email Address, * Street, * City, * State/Province (dropdown), * Postal Code, * Country (dropdown), Phone (dropdown), and Property Size (dropdown).
- Product Purchased:** Fields for "How will you use this product?" (dropdown), "How much outdoor equipment do you buy each year?" (dropdown), and three yes/no questions about assembly, dealer instruction, and manual receipt.
- Product Purchased From:** Fields for * Retailer Name (with a "Search for Dealer" button), * Date Purchased (dropdown), and a checkbox for "Please send me updates on Husqvarna products and services."

At the bottom of the form, there is a "Submit Registration" button and a note: "* Denotes a required field."



WARRANTY STATEMENT

SECTION 1: LIMITED WARRANTY

Husqvarna Forest & Garden Company ("Husqvarna") warrants Husqvarna product to be the original purchaser to be free from defects in material and workmanship from the date of purchase for the "Warranty Period" of the product as set forth below: **Lifetime Warranty (Parts and Labor):** All Miller lines and trimmer shafts against breakage. Proof of purchase required. **Lifetime Warranty ("PARTS ONLY" after initial warranty expiration):** Ignition coils and modules on handheld product. Proof of purchase required.

WARRANTY SCHEDULE FOR TURF CARE EQUIPMENT - Zero Turn Riders

- (New warranty applies to units sold after August 1, 2005. Also applies to units factory-equipped with R.O.P.S.)
- EZ Zero Turn Riders:** 3 year consumer warranty or 600 hours of use (when used solely at the owner's residence.)
- EZ Zero Turn Riders:** 1 year commercial warranty or 600 hours of use.
- LZ, LZ & EZ Zero Turn Riders:** 5 year consumer warranty or 1,500 hours of use (when used solely at the owner's residence.)
- LZ, LZ & EZ Zero Turn Riders:** 5 year commercial warranty or 1,500 hours of use.
- 3 Year or 1,500 Hour Commercial Use Warranty:** sprayers on zero turn riders, hydraulic pumps and wired motors. Warranty Schedule for Turf Care Walk Behind Units - W, WG & WH Zero Turn Riders - 3 year consumer and commercial warranty. New warranty applies to units sold after August 1, 2005. Also applies to units factory-equipped with R.O.P.S.

2 Year COMMERCIAL and CONSUMER WARRANTY: all Husqvarna ground-engaging commercial equipment.

2 Year Consumer Warranty: Automatic mower, all Residential Zero Turn Riders, all lawn, yard and garden tractors, all non-commercial walk behind mowers, tillers, chain saws, trimmers, brushcutters, clearing saws, snow blowers, handheld blowers, backpack blowers, hedge trimmers, electrical products and powerassist collection systems for noncommercial, non-professional, non-institutional or non-income producing use, except as herein stated. All consumer product use must have been limited to the owner's residence.

WARRANTY SCHEDULE FOR CONSUMER FOREST & GARDEN EQUIPMENT:

- 2 Year Consumer Warranty:** all consumer chain saws, trimmers, brushcutters, clearing saws, handheld blowers, backpack blowers, hedge trimmers, and electrical products for noncommercial, non-professional, non-institutional or non-income producing use, except as herein stated. All consumer product use must have been limited to the owner's residence.
- 2 Year or 2,000 Hour Powertrain & 1 Year or 1,000 Hour Body Warranty:** Husqvarna Utility Vehicles
- 1 Year Warranty:** Power cutters, stump grinder, pole pruners and pole saws for non-commercial, non-professional, non-institutional, non-municipality or non-income producing use. All 300 series trimmers, bushcutters, clearing saws, hoeing trimmers, stick edgers, backpack blowers, hand held blowers, hedge trimmers, power assist collection systems for commercial, institutional, professional or income producing purposes or use.

1 Year Conditional Component Warranty: Chain saw crankshafts for commercial/professional use (parts and labor). Saw must be operated with Husqvarna XP 2 cycle oil.

90 Day Commercial Warranty: Automatic mower, chain saws, 100 series trimmers, power cutters, stump grinders, pole saws, pole pruners, snow throwers, model series 590 & 600 walk-behind mowers, or any Husqvarna product used for commercial, institutional, professional, municipality or income producing purposes or use except as otherwise provided herein.

Batteries: 1 year prorated limited warranty with 100% replacement during the first 6 months.

Recall Warranty: 90 days on all applicable professional equipment reference warranty time period charts located in the back of the Retailer Warranty Policy & Procedure Manual.

Husqvarna Safety Apparel: carries a 90-day warranty from the date of the customer's original purchase for defects in material and workmanship. Normal wear, tear or abuse is not covered under warranty. Product must be returned to Charlotte with a warranty claim form. All care and maintenance instructions must be followed as stated by the manufacturer on the care label. The fit of the protective apparel/boots is not covered under warranty.

30 Day Warranty: Replacement parts, accessories including bars and chains, tools and display items. Emission control system components necessary to comply with CARB-TIER II and EPA regulations, except for those components which are part of engine systems manufactured by third party engine manufacturers for which the purchaser has received a separate warranty with product at time of purchase.

SECTION 2: HUSQVARNA'S OBLIGATIONS UNDER THE WARRANTY

Husqvarna will repair or replace defective components without charge for parts or labor if a component fails because of a defect in material or workmanship during the warranty period.

SECTION 3: ITEMS NOT COVERED BY THIS WARRANTY

The following items are not covered by this warranty:
(1) Normal customer maintenance items which become worn through normal regular use, including, but not limited to, belts, blades, blade adapters, bulbs, clutches, clutch drums, filters, guide bars, lubricants, rewind springs, saw chain, spark plugs,

starter ropes and lines;

- (2) Natural discoloration of material due to ultraviolet light;
- (3) Engine and drive systems not manufactured by Husqvarna; these items are covered by the respective manufacturer's warranty as provided in writing with the product information supplied at the time of purchase; all claims must be sent to the appropriate manufacturer;
- (4) Lawn and garden attachments are covered by a third party which gives a warranty; all claims for warranty should be sent to the manufacturer;
- (5) Commercial or consumer mowing decks with sand abrasion damage.
- (6) Emission Control System components necessary to comply with CARB-TIER II and EPA regulations which are manufactured by third party engine manufacturer.

SECTION 4: EXCEPTIONS AND LIMITATIONS

- This warranty shall be inapplicable to defects resulting from the following:
- (1) Accident, abuse, misuse, negligence and neglect, including stale fuel, dirt, abrasives, moisture, rust, corrosion, or any adverse reaction due to incorrect storage or use habits;
 - (2) Failure to operate or maintain the unit in accordance with the Owner's Operator's manual or instruction sheet furnished by Husqvarna;
 - (3) Alterations or modifications that change the intended use of the product or affects the product's performance, operation, safety, or durability, or causes the product to fail to comply with any applicable laws; or
 - (4) Additional damage to parts or components due to continued use occurring after any of the above.

REPAIR OR REPLACEMENT AS PROVIDED UNDER THIS WARRANTY IS THE EXCLUSIVE REMEDY OF THE PURCHASER. HUSQVARNA SHALL NOT BE LIABLE FOR ANY INCIDENTAL OR CONSEQUENTIAL DAMAGES FOR BREACH OF ANY EXPRESS OR IMPLIED WARRANTY ON THESE PRODUCTS EXCEPT TO THE EXTENT PROHIBITED BY APPLICABLE LAW. ANY IMPLIED WARRANTY OF MERCHANTABILITY OR FITNESS FOR A PARTICULAR PURPOSE ON THESE PRODUCTS IS LIMITED IN DURATION TO THE WARRANTY PERIOD AS DEFINED IN THE LIMITED WARRANTY STATEMENT. HUSQVARNA RESERVES THE RIGHT TO CHANGE OR IMPROVE THE DESIGN OF THE PRODUCT WITHOUT NOTICE, AND DOES NOT ASSUME OBLIGATION TO UPDATE PREVIOUSLY MANUFACTURED PRODUCTS.

Some states do not allow the exclusion of incidental or consequential damages, or limitations on how long an implied warranty lasts, so the above limitations or exclusions may not apply to you. This warranty gives you specific legal rights, and you may also have other rights which vary from state to state.

SECTION 5: CUSTOMER RESPONSIBILITIES

The product must exhibit reasonable care, maintenance, operation, storage and general upkeep as written in the maintenance section of the Owner's Operator's manual. Should an operational problem or failure occur, the product should not be used, but delivered as is to an authorized Husqvarna retailer for evaluation. Proof of purchase, as explained in section 6, rests solely with the customer.

SECTION 6: PROCEDURE TO OBTAIN WARRANTY CONSIDERATION

It is the Owner's and Retailer's responsibility to make certain that the Warranty Registration Card is properly filled out and mailed to Husqvarna Forest & Garden Company. This card should be mailed within ten (10) days from the date of purchase in order to confirm the warranty and to facilitate post-sale service.

Proof of purchase must be presented to the authorized Husqvarna retailer in order to obtain warranty service. This proof must include date purchased, model number, serial number, and complete name and address of the selling retailer.

To obtain the benefit of this warranty, the product believed to be defective must be delivered to an authorized Husqvarna retailer in a timely manner, no later than thirty (30) days from date of the operational problem or failure. The product must be delivered at the owner's expense. Downtime, pick-up and delivery charges are not covered by this warranty. An authorized Husqvarna retailer can be normally located through the "Yellow Pages" of the local telephone directory or by calling 1-800-HUSKY62 for a retailer in your area.

HUSQVARNA
7349 Statesville Road
Charlotte, NC 28269